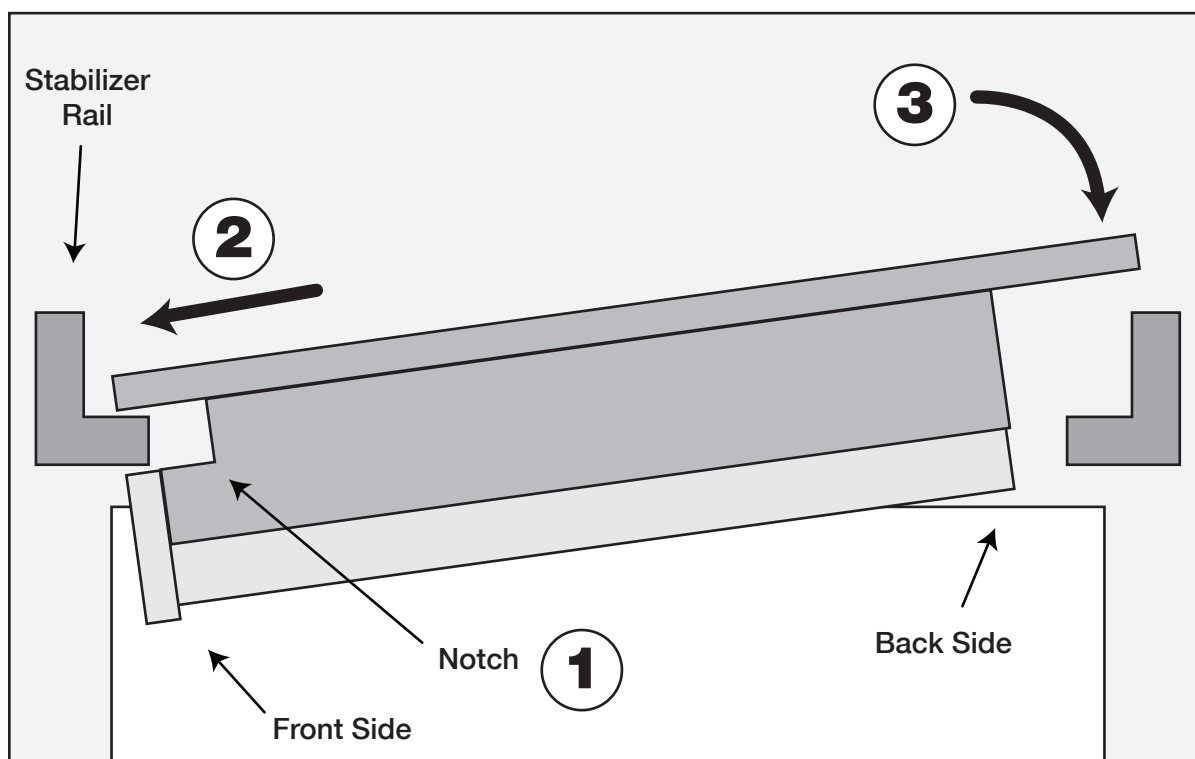


NEWPORT COTTAGES® Crib Storage Drawer Installation Diagram



- 1** Installing your Newport Cottages® Crib Storage Drawer is easy! Simply locate the front of the Crib Storage Drawer, which will have notches above the drawer...
- 2** ... and carefully drop down the Crib Storage Drawer into the crib at a slight angle, front side first, making sure the notched sections fit onto the stabilizer rail.
- 3** Once the front is set in place, the back of the Crib Storage Drawer should lower effortlessly into place.